

OSPIN

Omnibearing+Spin

2023 Catalogue



**The professional pressure gauge manufacturer.
In Taiwan**

Since 1991



OSPIN Gauge was established in 1991.

Our business principle is concept of honesty, reasonableness and sustainable operation.

We obtained ISO 9001 certification in 2003.

Through international standards, we could promise as follow:

- Honest -** Continuously Improve Process Capability And Transparency Commercial Activity To Reducing The Cost For The Customers.
- Reasonable -** Annual Audit On A Regular Basis, Promote The Quality And Delivery Stability To Achieve Customer Satisfaction.
- Sustainable -** Implementation Of Standard Management With The Least Negative Environmental Impacts.

Basic model

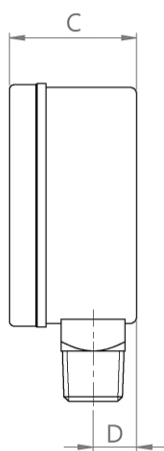
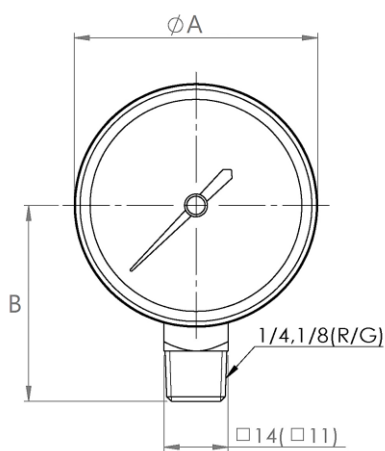
1. General - Black Steel Case
2. General - Plastic Case
3. General - Mini Type
4. General - Large Type
5. General - Panel & Back Flange Mounting
6. Liquid filled - Bottom & Back Mounting
7. Liquid filled - Panel & Flange Mounting

CATALOG

Particular application

8. Micro - Movement and Diaphragm
9. Micro - Spring tube
10. Medical Pressure Gauge
11. Industrial Process Pressure Gauge
12. Tire Pressure Gauge
13. Digital Pressure Gauge
14. Digital Pressure Gauge
15. Digital Tire Pressure Gauge

1. General Type with Black Steel Case



Specification

Dial Size (In.) : 1.5' 、 2' 、 2.5'

Mounting Location : Bottom entry

Accuracy (%) : FS \pm 2.5%

Connection Material : Brass

Connection Thread : 1/8, 1/4PT, NPT, PF, BSP

Pressure Range : Vacuum-0kg to 0-400kg

Lens Material : PC or Glass

Case Material : CRS Electro-deposition (black),
Chromium coating, SUS 304... etc

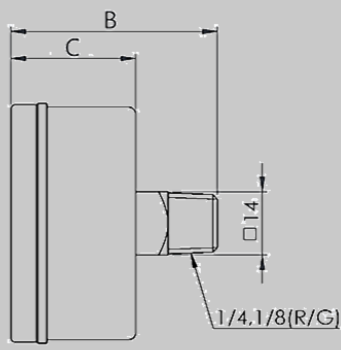
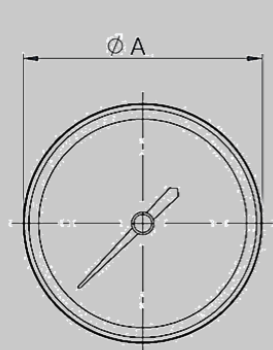
Bezel Material : Steel zinc plating with black,
Chromium coating, SUS 304... etc

Ambient Operation Temp.(F) : 5 ~ 60°C

Dimension

unit: mm

Dial	1.5'	2'	2.5'
A	42.6	53.2	64.3
B	36	42.8	52
C	23.7	27.8	29
D	7.5	9.5	9.7



Specification

Dial Size (In.) : 1.5' 、 2' 、 2.5'

Mounting Location : Bottom entry

Accuracy (%) : FS \pm 2.5%

Connection Material : Brass

Connection Thread : 1/8, 1/4PT, NPT, PF, BSP

Pressure Range : Vacuum-0kg to 0-400kg

Lens Material : PC or Glass

Case Material : CRS Electro-deposition (black),
Chromium coating, SUS 304... etc

Bezel Material : Steel zinc plating with black,
Chromium coating, SUS 304... etc

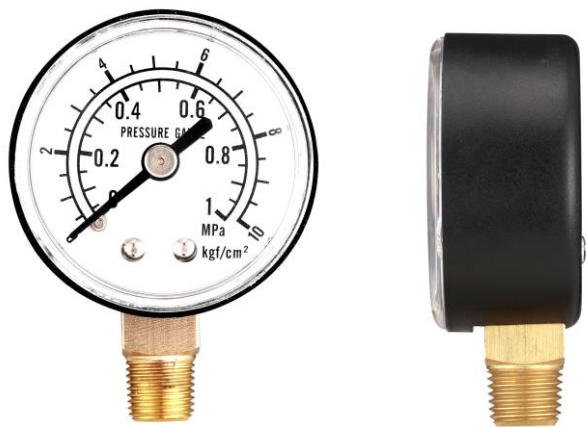
Ambient Operation Temp.(F) : 5 ~ 60°C

Dimension

unit: mm

Dial	1.5'	2'	2.5'
A	42.6	53.2	64.3
B	40.5	46	51.2
C	25	27.8	28.7

2. General Type with Plastic Case



Specification

Dial Size (In.) : 1.5' 、 2'

Mounting Location : Bottom entry

Accuracy (%) : FS \pm 2.5%

Connection Material : Brass

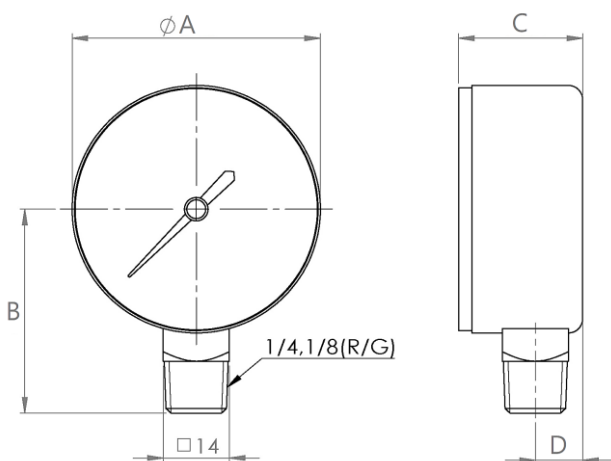
Connection Thread : 1/8, 1/4PT, NPT, PF, BSP

Dial Range : Vacuum-0kg to 0-400kg

Lens Material : PC

Case Material : ABS Plastic

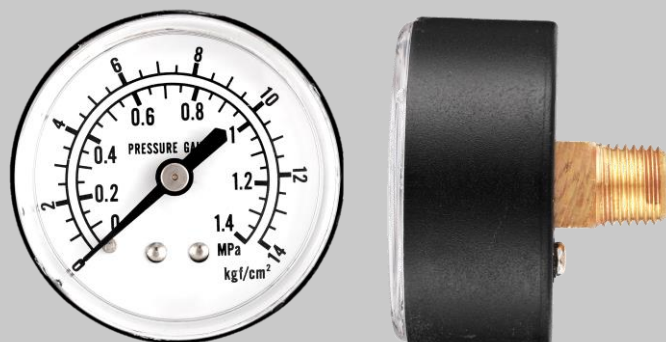
Ambient Operation Temp.(F) : 5 ~ 60°C



Dimension

unit: mm

Dial	1.5'	2'
A	42.2	52.5
B	27.1	43.3
C	24.7	26.2
D	8.8	10



Specification

Dial Size (In.) : 1.5' 、 2'

Mounting Location : Back entry

Accuracy (%) : FS \pm 2.5%

Connection Material : Brass

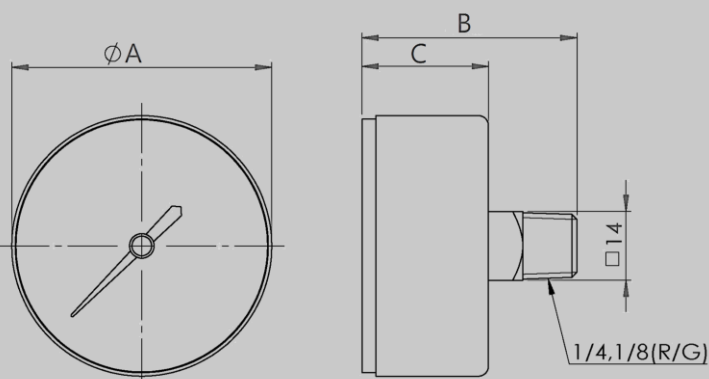
Connection Thread : 1/8, 1/4PT, NPT, PF, BSP

Dial Range : Vacuum-0kg to 0-400kg

Lens Material : PC

Case Material : ABS Plastic

Ambient Operation Temp.(F) : 5 ~ 60°C

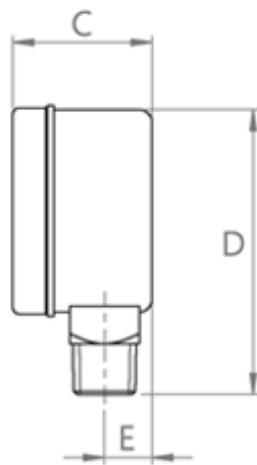
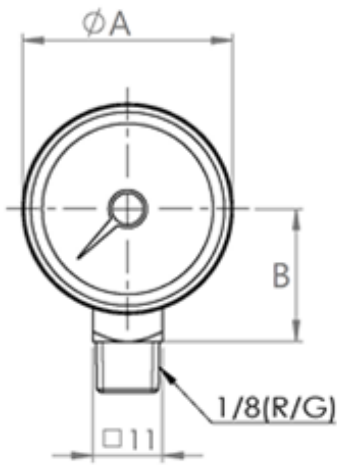


Dimension

unit: mm

Dial	1.5'	2'
A	42.4	52.9
B	38.1	43.7
C	23.7	25.7

3. General Mini Type



Specification

Dial Size (In.) : 1.2'

Mounting Location : Bottom entry

Accuracy (%) : FS \pm 2.5%

Connection Material : Brass

Connection Thread : 1/8PT, NPT, PF, BSP

Dial Range : Vacuum-0kg to 0-400kg

Lens Material : PC or Glass

Case Material : CRS Electro-deposition (black),
SUS 304... etc

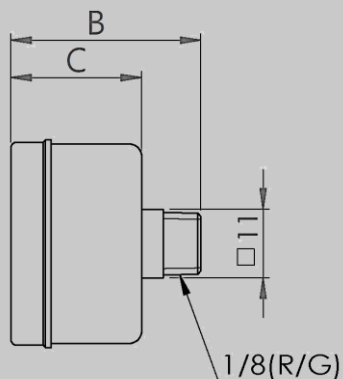
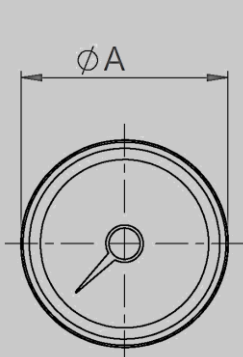
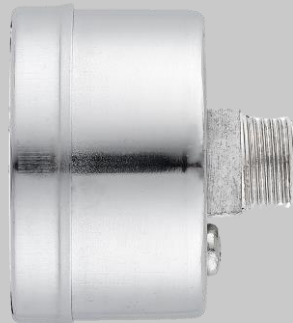
Bezel Material : Steel zinc plating with black,
SUS 304... etc

Ambient Operation Temp.(F) : 5 ~ 60°C

Dimension

unit: mm

Case	SUS 304	Black Steel
A	33.2	33.2
B	21	21
C	22	21.5
D	45	45
E	7.5	7.5



Specification

Dial Size (In.) : 1.2'

Mounting Location : Back entry

Accuracy (%) : FS \pm 2.5%

Connection Material : Brass

Connection Thread : 1/8PT, NPT, PF, BSP

Dial Range : Vacuum-0kg to 0-400kg

Lens Material : PC or Glass

Case Material : CRS Electro-deposition (black),
Chromium coating, SUS 304... etc

Bezel Material : Steel zinc plating with black,
Chromium coating, SUS 304... etc

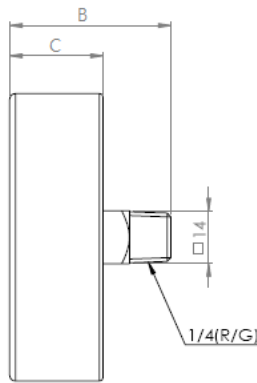
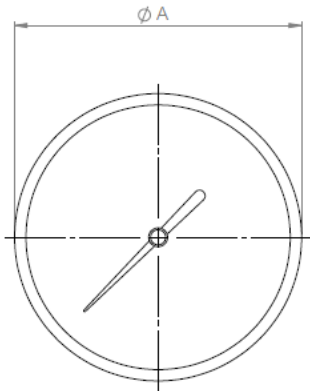
Ambient Operation Temp.(F) : 5 ~ 60°C

Dimension

unit: mm

Case	SUS 304	Black Steel	Chrome Plated
A	33.2	33.2	32.8
B	30.5	31.5	33
C	21	21.5	21.3

4. General Large Type



Specification

Dial Size (In.) : 3' - 4'

Mounting Location : Back entry

Accuracy (%) : FS \pm 2.5%

Connection Material : Brass

Connection Thread : 1/8, 1/4PT, NPT, PF, BSP

Dial Range(psi) : Vacuum-0kg to 0-400kg

Lens Material : PC

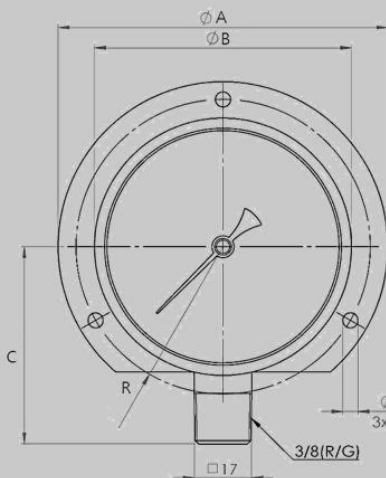
Case Material : CRS Electro-deposition (black)

Ambient Operation Temp.(F) : 5 ~ 60°C

Dimension

unit: mm

Dial	3'	4'
A	76	100
B	42.7	41.3
C	24.7	23.3



Specification

Dial Size (In.) : 3' - 4'

Mounting Location : Bottom Flange entry

Accuracy (%) : FS \pm 2.5%

Connection Material : Brass

Connection Thread : 3/8, 1/2PT, NPT, PF, BSP

Dial Range(psi) : Vacuum-0kg to 0-400kg

Lens Material : Glass

Case Material : CRS Electro-deposition (black)

Bezel Material : Steel zinc plating with black

Ambient Operation Temp.(F) : 5 ~ 60°C

Dimension

unit: mm

Dial	3'	4'
A	97.5	129
B	76	100
C	58.3	75.3
D	4.5	5
E	35.5	38.5
F	12.7	14.5
R	43.5	57

5. General Type with Panel and Back Flange



Specification

Dial Size (In.) : 1.5' - 2'

Mounting Location : Back U-flange entry

Accuracy (%) : FS \pm 2.5%

Connection Material : Brass

Connection Thread : 1/8, 1/4PT, NPT, PF, BSP

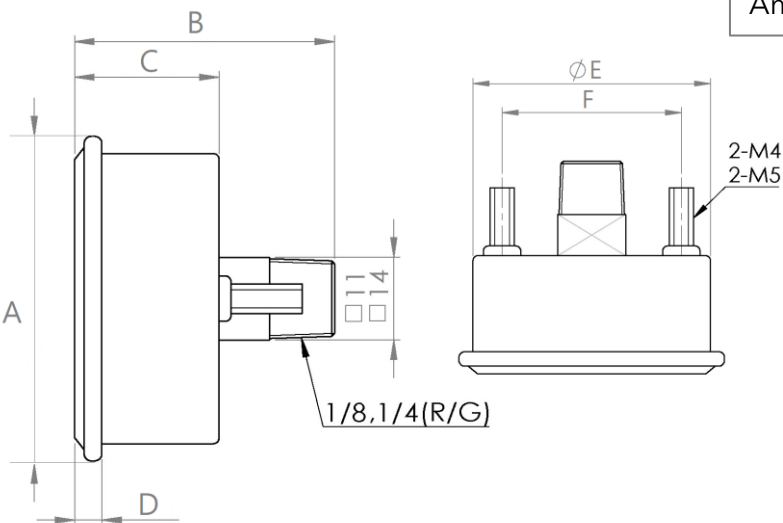
Dial Range(psi) : Vacuum-0kg to 0-400kg

Lens Material : PC

Case Material : CRS Electro-deposition (black)

Bezel Material : SUS304

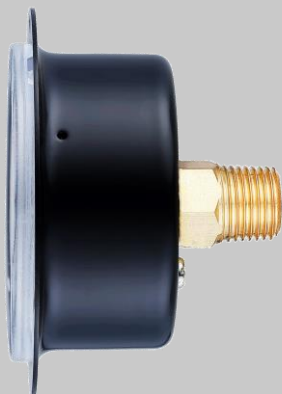
Ambient Operation Temp.(F) : 5 ~ 60°C



Dimension

unit: mm

Dial	1.5'	2'
A	47.3	54.8
B	37.1	43.9
C	22.6	24.4
D		4.6
E	41	49
F	28.6	37



Specification

Dial Size (In.) : 2' - 2.6'

Mounting Location : Back Flange entry

Accuracy (%) : FS \pm 2.5%

Connection Material : Brass

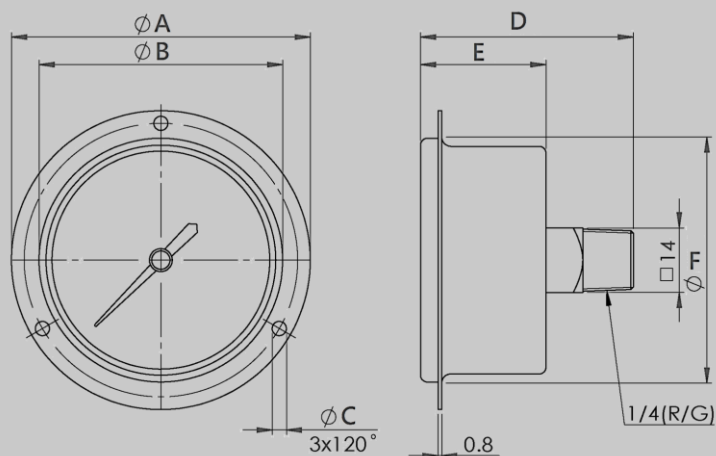
Connection Thread : 1/8, 1/4PT, NPT, PF, BSP

Dial Range(psi) : Vacuum-0kg to 0-400kg

Lens Material : PC

Case Material : CRS Electro-deposition (black)

Ambient Operation Temp.(F) : 5 ~ 60°C

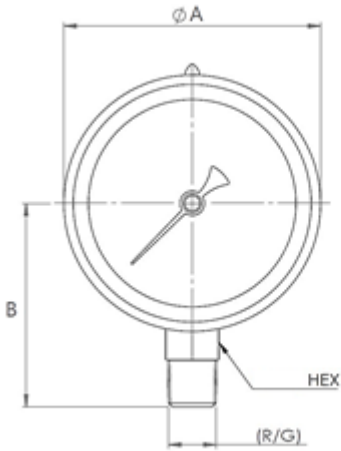


Dimension

unit: mm

Dial	2'	2.6'
A	65	85.3
B	53	66.5
C	3.1	4.5
D	46.3	48.7
E	27.3	30
F	53.5	69.5

6. Liquid filled Bottom & Back Mounting



Specification

Dial Size (In.) : 1.5' 、 2' 、 2.5' 、 3' 、 4'

Mounting Location : Bottom entry

Accuracy (%) : FS \pm 2.5%

Connection Material : Brass

Connection Thread : 1/8, 1/4, 3/8PT, NPT, PF, BSP

Dial Range(psi) : Vacuum-0kg to 0-1000kg

Lens Material : PC or Glass

Case Material : Stainless steel 304

Bezel Material : Stainless steel 304

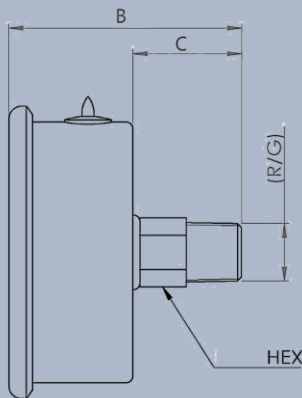
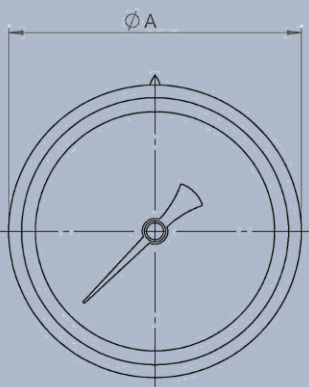
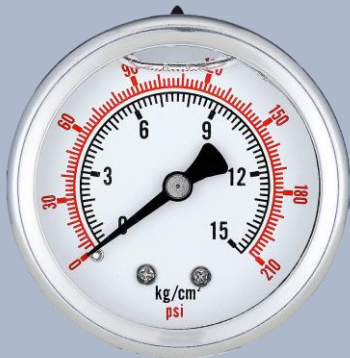
Filling Liquid : Glycerin or Silicon

Ambient Operation Temp.(F) : -5 ~ 70°C

Dimension

unit: mm

Dial	1.5'	2'	2.5'	3'	4'
A	47	57.5	68	82.5	104.3
B	38.8	49	54	64	76.3
C	27	28	29	29	36
D	8.4	8.8	9.3	9.3	9.3
HEX	7/16 〔 11.0 〕	9/16 〔 14.0 〕	9/16 〔 14.0 〕	43/64 〔 17.0 〕	43/64 〔 17.0 〕
R/G	1/8	1/4	1/4	3/8	3/8, 1/2



Specification

Dial Size (In.) : 1.5' 、 2' 、 2.5'

Mounting Location : Back entry

Accuracy (%) : FS \pm 2.5%

Connection Material : Brass

Connection Thread : 1/8, 1/4, 3/8PT, NPT, PF, BSP

Dial Range(psi) : Vacuum-0kg to 0-1000kg

Lens Material : PC or Glass

Case Material : Stainless steel 304

Bezel Material : Stainless steel 304

Filling Liquid : Glycerin or Silicon

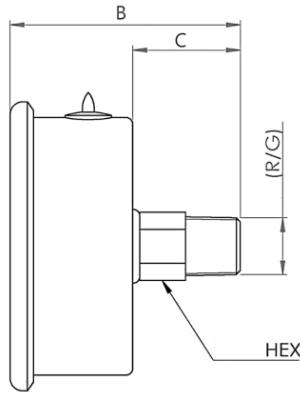
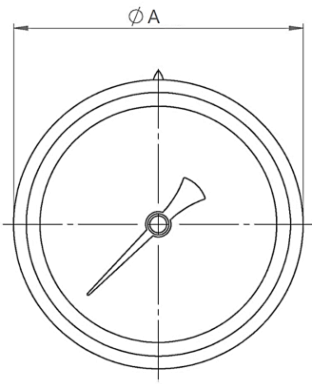
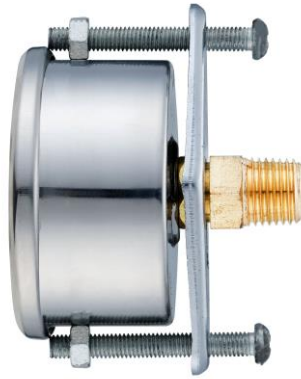
Ambient Operation Temp.(F) : -5 ~ 70°C

Dimension

unit: mm

Dial	1.5'	2'	2.5'
A	47	57	68.5
B	44	54	54.5
C	26.3	25	25.5
HEX	7/16〔 11.0 〕	9/16〔 14.0 〕	9/16〔 14.0 〕
R/G	1/8	1/4	1/4

7. Liquid filled Panel & Flange Mounting



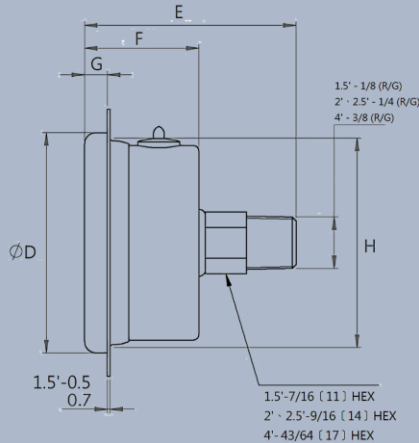
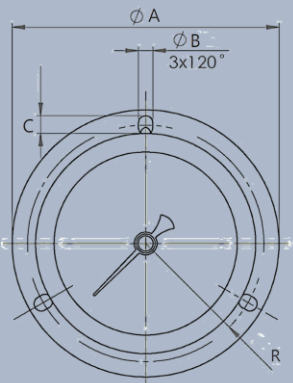
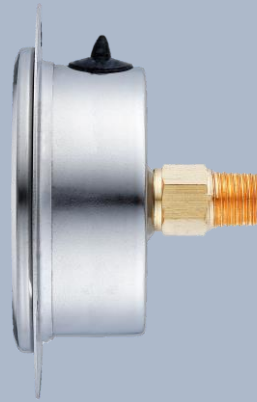
Specification

Dial Size (In.) : 1.5' 、 2' 、 2.5'
 Mounting Location : Back Panel entry
 Accuracy (%) : FS ± 2.5%
 Connection Material : Brass
 Connection Thread : 1/8, 1/4PT, NPT, PF, BSP
 Dial Range(psi) : Vacuum-0kg to 0-1000kg
 Lens Material : PC or Glass
 Case Material : Stainless steel 304
 Bezel Material : Stainless steel 304
 Filling Liquid : Glycerin or Silicon
 Ambient Operation Temp.(F) : -5 ~ 70°C

Dimension

unit: mm

Dial	1.5'	2'	2.5'
A	47	57	68.5
B	44	54	54.5
C	26.3	25	25.5
HEX	7/16 [11.0]	9/16 [14.0]	9/16 [14.0]
R/G	1/8	1/4	¼



Specification

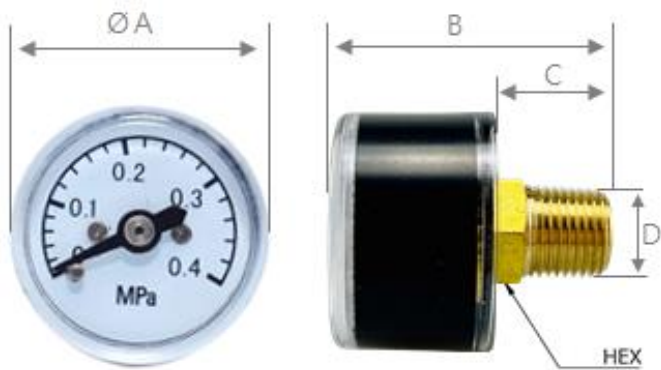
Dial Size (In.) : 1.5' 、 2' 、 2.5' 、 3' 、 4'
 Mounting Location : Back Flange entry
 Accuracy (%) : FS ± 2.5%
 Connection Material : Brass
 Connection Thread : 1/8, 1/4, 3/8PT, NPT, PF, BSP
 Dial Range(psi) : Vacuum-0kg to 0-1000kg
 Lens Material : PC or Glass
 Case Material : Stainless steel 304
 Bezel Material : Stainless steel 304
 Filling Liquid : Glycerin or Silicon
 Ambient Operation Temp.(F) : -5 ~ 70°C

Dimension

unit: mm

Dial	1.5'	2'	2.5'	4'
A	64	70	88	131
B	3.8	3.8	4.3	5.4
C	5	4.7	5.6	/
D	47	57.7	68.5	108.6
E	44	55.5	56	68.5
F	26.5	30	29.5	38
G	5	6	6	7.5
H	44.5	55	64	103.5
R	28	31	37	58.3

8. Micro Pressure Gauge – Movement and Diaphragm



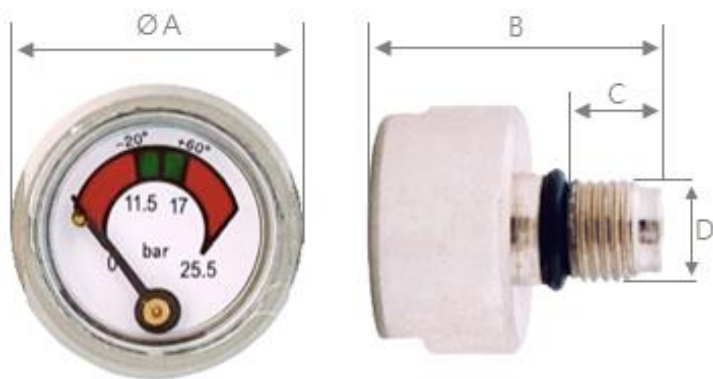
Specification

Dial Size (In.) : 1'
 Mounting Location : Back entry
 Accuracy (%) : FS \pm 2.5%
 Connection Material : Brass
 Connection Thread : 1/8PT, NPT, PF, BSP
 Dial Range(psi) : 0~20kg
 Lens Material : PC
 Case Material : Plastic ABS
 Ambient Operation Temp.(F) : 5 ~ 60°C

Dimension

unit: mm

Type	A	B	C	D
Movement	25.1	27.5	11.8	1/8



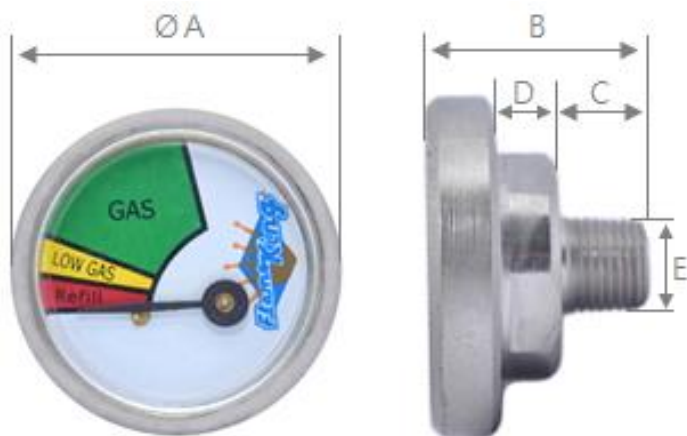
Specification

Dial Size (In.) : 1'
 Mounting Location : Back entry
 Accuracy (%) : FS \pm 2.5%
 Connection Material : Brass Nickel plating
 Connection Thread : 1/8PT, NPT, PF, BSP
 Dial Range(psi) : 0~30kg
 Lens Material : PC
 Case Material : Brass Nickel plating
 Ambient Operation Temp.(F) : -5 ~ 70°C

Dimension

unit: mm

Type	A	B	C	D
Diaphragm	23	25.6	9	1/8



Specification

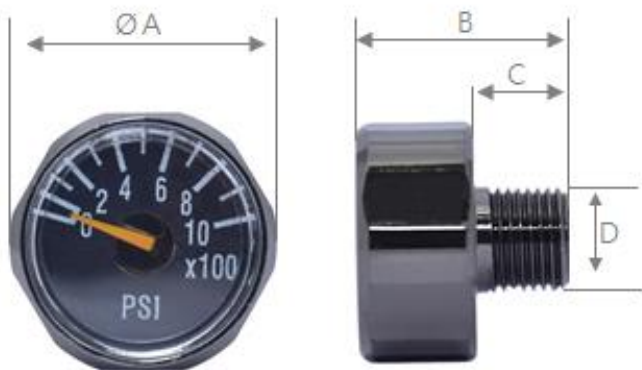
Dial Size (In.) : 1.3'
 Mounting Location : Back entry
 Accuracy (%) : FS \pm 2.5%
 Connection Material : Brass Nickel plating
 Connection Thread : 1/8PT, NPT, PF, BSP
 Dial Range(psi) : 0~30kg
 Lens Material : PC
 Case Material : Brass Nickel plating
 Ambient Operation Temp.(F) : -5 ~ 70°C

Dimension

unit: mm

Type	A	B	C	D	E
Diaphragm	33.9	26.9	12	6.5	1/8

9. Micro Pressure Gauge – Spring tube



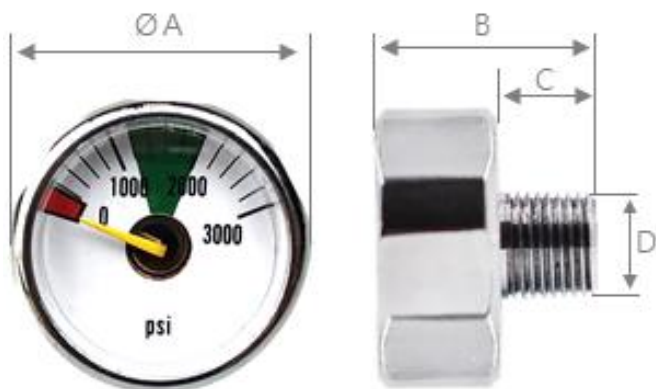
Specification

Dial Size (In.) : 1'
 Mounting Location : Back entry
 Shape: Hexagon
 Pressure element: Copper spiral tube
 Accuracy (%) : FS ± 4%
 Connection Thread : 1/8PT, NPT, PF, BSP
 Dial Range(psi) : 0~6000psi
 Case Material : Forged brass with Nickel plating
 Lens Material : PC
 Operation Temp.(F) : 5 ~ 60°C

Dimension

unit: mm

Type	A	B	C	D
Spring Tube	22	20.3	9	1/8



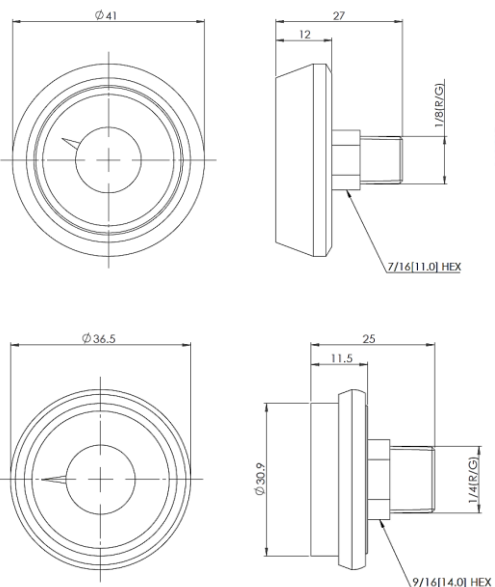
Specification

Dial Size (In.) : 1'
 Mounting Location : Back entry
 Shape: Hexagon
 Pressure element: Copper spiral tube
 Accuracy (%) : FS ± 4%
 Connection Thread : 1/8PT, NPT, PF, BSP
 Dial Range(psi) : 0~6000psi
 Case material: Forged brass with chrome plated
 Lens Material : PC
 Ambient Operation Temp.(F) : 5 ~ 60°C

Dimension

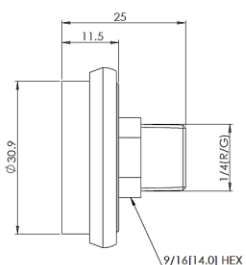
unit: mm

Type	A	B	C	D
Spring Tube	25	20	9	1/8



Specification

Dial Size (In.) : 1.4'
 Mounting Location : Back entry
 Accuracy (%) : FS ± 2.5%
 Connection Material : Brass
 Connection Thread : 1/8, 1/4PT, NPT, PF, BSP
 Dial Range(psi) : 0~6000psi
 Lens Material : PC
 Case Material : 304 SS
 Ambient Operation Temp.(F) : 5 ~ 60°C
 Optional : NBR rubber case

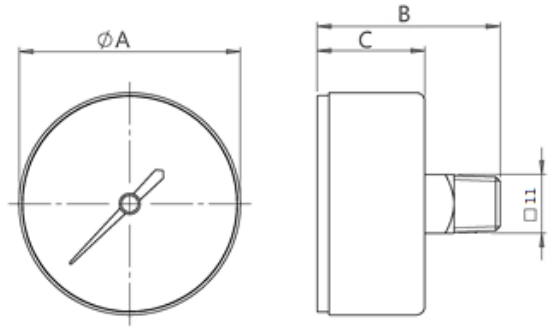


10. Medical Pressure Gauge



Specification

Dial Size (In.) : 1.5'
 Mounting Location : Back entry
 Accuracy (%) : FS \pm 1.6%
 Connection Material : Brass
 Connection Thread : M10x0.75 or 1/8PT
 Dial Range(psi) : 0 to 400psi
 Lens Material : PC
 Case Material : Plastic
 Ambient Operation Temp.(F) : 5 ~ 60°C



Dimension

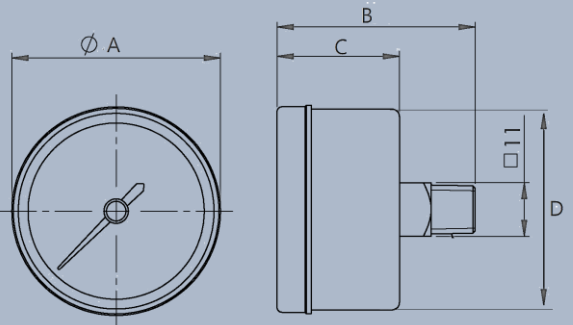
unit: mm

A	B	C
$\Phi 40 \pm 0.3$	40 ± 0.3	26.5 ± 0.3



Specification

Dial Size (In.) : 1.5'
 Mounting Location : Back entry
 Accuracy (%) : FS \pm 1.6%
 Connection Material : Brass
 Connection Thread : M10x0.75 or 1/8PT
 Dial Range(psi) : 0 to 400psi
 Lens Material : PC
 Case Material : Steel or Plastic
 Ambient Operation Temp.(F) : 5 ~ 60°C

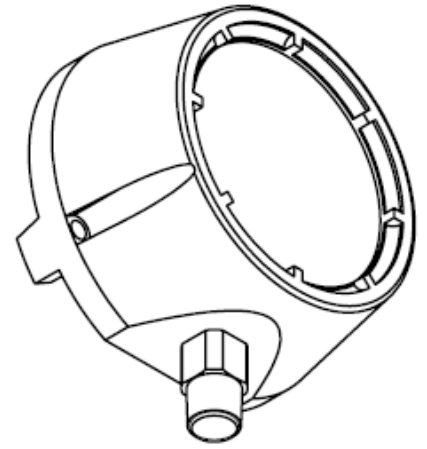
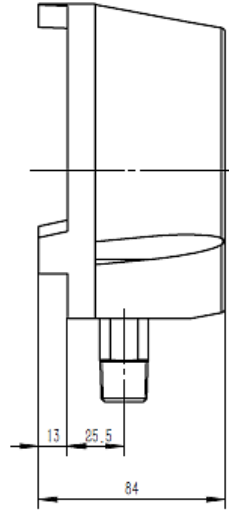
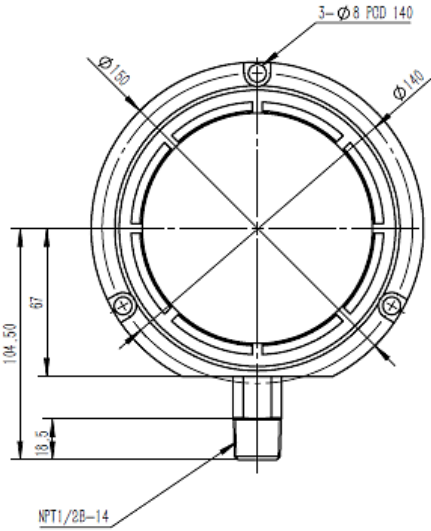


Dimension

unit: mm

A	B	C	D
$\Phi 44.5 \pm 0.3$	39 ± 0.3	24.5 ± 0.3	$\Phi 41 \pm 0.3$

11. Industrial Process Pressure Gauge



Skills requirement

1. Black shell material: modified PP
2. Back plate material: SUS304
3. Case ring material: Modified PP
4. Table window material: tempered glass
5. Transmission mechanism: stainless steel
6. Pressure sensitive component: SUS6L
7. Bracket material: SUS316
8. Protection level: IP65
9. Pointer: adjustable pointer
10. Accuracy level: $\pm 1.0\%$
11. Earthquake resistance:
the latest dry oil-free seismic type
12. Signage requirements: customized according to customers



12. Tire Pressure Gauge



Larger 2" Display
Makes for a clearer dial
And more accurate reading

360° Swivel Chuck
Makes it easier to view the
dial clearly from any angle

Integrated Bleed button
Makes it easy to use by the
controlling the pressure drop

45° extended Head
Makes it easier to get
Good fit on the tire valve

Specification

Dial Size (In.) : 2'
Mounting Location : Bottom entry
Accuracy (%) : FS ± 2.5%
Connection Material : Brass
Dial Range(psi) : 0kg to 20kg
Lens Material : PC
Case Material : Steel zinc plating with chrome
Bezel Material : Steel zinc plating with chrome
Protective Case : Rubber NBR
Accessors : Flexible hose with the valve
Ambient Operation Temp.(F) : -5 ~ 70°C

Specification

Dial Size (In.) : 2'
Mounting Location : Bottom entry
Accuracy (%) : FS ± 2.5%
Connection Material : Brass
Dial Range(psi) : 0kg to 20kg
Lens Material : PC
Case Material : Steel zinc plating with chrome
Bezel Material : Steel zinc plating with chrome
Protective Case : Rubber NBR
Accessors : Metal tube with the valve
Ambient Operation Temp.(F) : -5 ~ 70°C



Integrated Bleed button
Makes it easy to use by the
controlling the pressure drop

Larger 2" Display
Makes for a clearer dial
And more accurate reading

Reinforced Rubber Hose
Won't split and fray with
the high-density rubber material

360° Swivel Chuck
Makes it easier to view the
dial clearly from any angle

45° extended Head
Makes it easier to get
Good fit on the tire valve

13. Digital Pressure Gauge

A total of over 1,000 hrs. with continuous usage.

Standards used in this calibration are traceable to the National Institute of Standards Technology (NIST).



Specification

Dial Size (In.) : 1.4"(35mm)

Mounting Location : Back/Bottom entry

Accuracy : $\pm 2.0\%$ F.S. ± 1 digit

(including temperature error)

Connection Material : Plastic /Brass

Connection Thread : 1/8" PS male

Dial Range(psi) : VAC - 144psi

Sensor type: Silicon sensor

Power Source: one built-in non-replaceable
lithium battery,

CR927 (DC 3V) Ambient

Operation Temp.(F) : 0 ~ 50°C

Display: 3-digit TN LCD

Sampling time: every 0.6 sec ($\pm 30\%$)

Auto-shutoff timers: 30 / 60 / 120 / 180 seconds ($\pm 20\%$) / AON (Always on)



Specification

Dial Size (In.) : 1.4"(35mm)

Mounting Location : Back/Bottom entry

Accuracy : $\pm 2.0\%$ F.S. ± 1 digit

(including temperature error)

Connection Material : Plastic /Brass

Connection Thread : 1/8" PS male

Dial Range(psi) : VAC - 144psi

Sensor type: Silicon sensor

Power Source: one built-in non-replaceable
lithium battery,

CR927 (DC 3V) Ambient

Operation Temp.(F) : 0 ~ 50°C

14. Digital Pressure Gauge

Average battery life is approx. 500 testing cycles.

Gauge will hold the reading for 90seconds, or until the RESET button is pressed.



Specification

Dial Size (In.) : 2.5'
Mounting Location : Bottom entry
Accuracy (%) : FS \pm 3%
Connection Material : Brass
Connection Thread : 1/4NPT
Dial Range(psi) : 2 - 300psi
Lens Material : Glass
Case Material : ABS
Anti-shock Cover : NBR
Battery : 9V
Ambient Operation Temp.(F) : 0 ~ 40°C

LCD Backlight Support

Hold ON Key more than 2 seconds.

Automatic switch off after 40 Seconds ON



Specification

Dial Size (In.) : 2.5'
Mounting Location : Bottom entry
Accuracy (%) : FS \pm 1%,@25°C
Connection Material : Brass
Connection Thread : 1/4NPT
Dial Range(psi) : 0 - 200psi
Lens Material : Glass
Case Material : ABS
Anti-shock Cover : TPR
Battery : 1.5V * 2 (#4 Battery)
Four Units Selectable Pressure Gauge :
PSI - Bar - Kg/cm²- Kpa - PSI
Pressure Resolution :
0.5PSI/0.05Bar/0.05Kg/cm²/5Kpa
Ambient Operation Temp.(F) : -10 ~ 45°C

15. Digital Pressure Gauge

Average battery life is approx 2000 testing cycles

Press ON to change unit in sequence of PSI, BAR, KG/CM² and kPa.



Specification

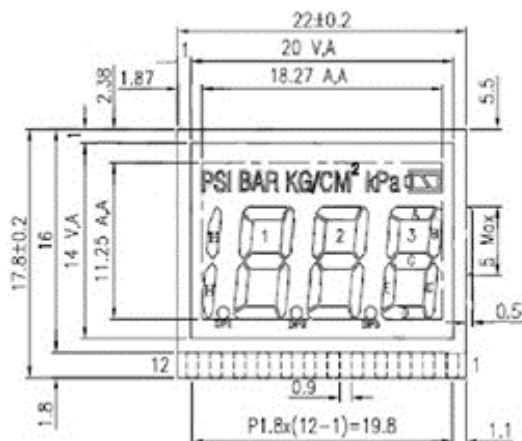
Dial Size (In.) : 2'
Mounting Location : Bottom entry
Accuracy : $\pm 1\%$ Full Scale
at 25 °C Power 4 mW
Pressure Range : 150 psi (10 bar)
Battery : CR2032
Lens Material : Glass
Case Material : ABS
Operating Temp : -10 °C to 42 °C
Storage Temp : -20 °C to 60 °C

**LCD display after each measurement
Return to zero after 20 seconds**



Parameters

1. LCD Display
2. Units of measurement:
PSI, BAR, kPa, kg/cm²
3. Auto-shutdown: 30 seconds
4. Backlight time: 30 seconds
5. Minimum detectable pressure:
2.0 PSI
6. Maximum detectable pressure:
200.0 PSI, 13.8 BAR,
1,380 kPa, 14.0 kg/cm²
7. LCD Resolution: 0.5 PSI
8. Accuracy (Tolerable error):
 ± 1 PSI to working pressure value



QUALITY GUARANTEE

SGS 校正結果 (Calibration Results)
 Report No.: ETR1802024
 第2頁 共2頁 洪芝君

顯示值 (bar)	標準值 (bar)	偏差值 (bar)
4.00	3.985	0.015
8.00	7.982	0.018
12.00	11.979	0.021
16.00	15.976	0.024
20.00	19.974	0.026

校正說明:
 1. 顯示值=顯示值-標準值
 2. 偏差%=(顯示值-標準值)/標準值*100
 3. 顯示值係指校正件所顯示之讀數
 4. 偏差係指校正件之偏差

SGS 校正報告書
 校正暨量測實驗室-台中
 Report No.: ETR1802024

品名	廠牌	規格	單位	數量	備註
壓力計	OSPIN	0-300 psi	個	1	
壓力計	OSPIN	0-300 psi	個	1	
壓力計	OSPIN	0-300 psi	個	1	

品名	廠牌	規格	單位	數量	備註
壓力計	OSPIN	0-300 psi	個	1	
壓力計	OSPIN	0-300 psi	個	1	
壓力計	OSPIN	0-300 psi	個	1	

SGS Standards
 Model: SP1 300-0-300 psi
 Calibration Date: 2017/05/12

SGS 台中
 11000 Taiwan Blvd, Taichung, Taiwan
 Tel: +86 9 229 2321, Fax: +86 9 229 2322

CONA Certificate of Conformity
 No.: EC18051121
 Applicant: OSpin Pressure Gauge CO., Ltd.
 No. 47-11 Hemo Village Zhonggu Township, Chiayi County, Taiwan R.O.C.
 Manufacturer: OSpin Pressure Gauge CO., Ltd.
 No. 47-11 Hemo Village Zhonggu Township, Chiayi County, Taiwan R.O.C.
 Product Description: Pressure Gauge
 Model No.: Y83-D-05MPa
 Technical Data: --
 44 shown in the Test Report Number(s): SPVD 201804015

The submitted products have been tested by us with the listed standards and found in compliance with the following Performance Data:

The tests sample for this world. The CE mark is technical.

PTSI Certificate of Conformity
 NO.: PRS219070501C

The following product has been tested with the listed standards and found in conformity with the RoHS Directive (EU) 2015/863 amending Annex II to Directive 2011/65/EU.

Applicant: OSPIN GAUGE CO., LTD.
 Address: No. 47-11, Hemo Village, Zhonggu Township, Chiayi County, Taiwan R. O. C.
 Manufacturer: OSPIN GAUGE CO., LTD.
 Address: No. 47-11, Hemo Village, Zhonggu Township, Chiayi County, Taiwan R. O. C.
 Brand: OSPIN
 Product: Pressure Gauge
 Model(s): OSPIN All Type
 Standards: IEC 62321-5: 2015, IEC 62321-4: 2015, IEC 62321-7-1: 2015, IEC 62321-7-2: 2017
 Report No.: PRS219070501C

CE mark and QR code for RoHS compliance.

We're one of the most reputable pressure gauge manufacturer in Taiwan. Customized products is our strength.

We are confident to give our customers the fullest satisfaction.

Should any of these items of interest to you, please let us know. We would be happy to provide more details for you.



OSPIN GAUGE CO., LTD

 **+886-5-230 9297**

 **+886-5-239 0456**

 **sales@ospin-gauge.com**

<https://www.ospin-gauge.com>